

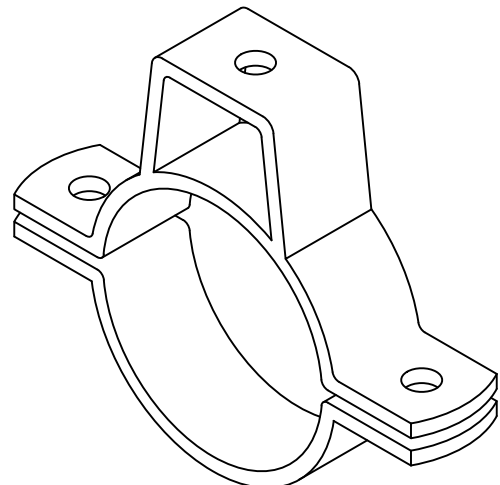
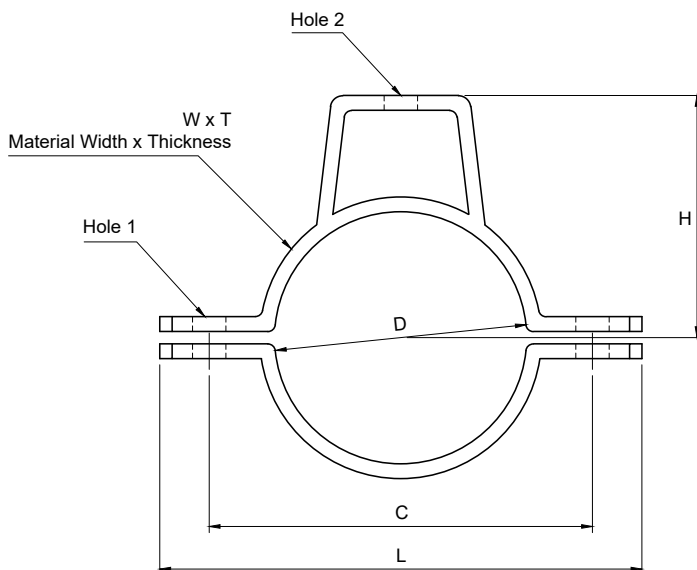


Listed By **AON**

Complies to **NZS4541:2020**

Medium Duty Yoked HDG Clamps

RSL Code	D	W x T	L	C	H	Hole 1	Hole 2	Bolt	Nut	Aon Approved
RSL18-060	50nb (60od)	40 x 6	154	114	77	14 mm	14 mm	M12 x 45	FN	✓
RSL18-076	65nb (76od)	40 x 6	171	131	85	14 mm	14 mm	M12 x 45	FN	✓
RSL18-089	80nb (89od)	40 x 6	187	147	91	14 mm	14 mm	M12 x 45	FN	✓
RSL18-102	102od	40 x 6	195	155	98	14 mm	14 mm	M12 x 45	FN	
RSL18-115	100nb (115od)	40 x 6	209	169	104	14 mm	14 mm	M12 x 45	FN	✓
RSL18-127	127od	40 x 6	222	182	110	14 mm	14 mm	M12 x 45	FN	
RSL18-140	125nb (140od)	40 x 6	240	200	117	14 mm	14 mm	M12 x 45	FN	
RSL18-152	152od	40 x 6	251	211	123	14 mm	14 mm	M12 x 45	FN	
RSL18-168	150nb (168od)	40 x 6	262	222	131	14 mm	14 mm	M12 x 45	FN	✓
RSL18-175	175od	40 x 6	279	239	134	14 mm	14 mm	M12 x 45	FN	
RSL18-203	DWV175 (203od)	40 x 6	306	266	148	14 mm	18 mm	M12 x 45	FN	
RSL18-220	200nb (220od)	40 x 6	317	277	157	14 mm	18 mm	M12 x 45	FN	✓
RSL18-250	DWV225 (250od)	40 x 6	355	315	172	14 mm	18 mm	M12 x 45	FN	
RSL18-275	250nb (275od)	40 x 6	381	341	184	14 mm	18 mm	M12 x 45	FN	
RSL18-315	DWV300 (315od)	40 x 6	418	378	204	14 mm	18 mm	M12 x 45	FN	



* FN= Full Nut