



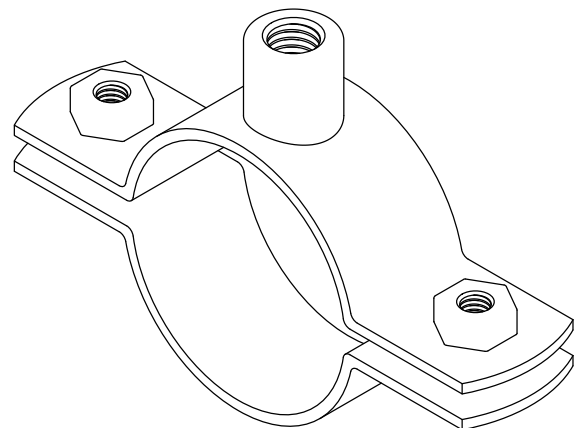
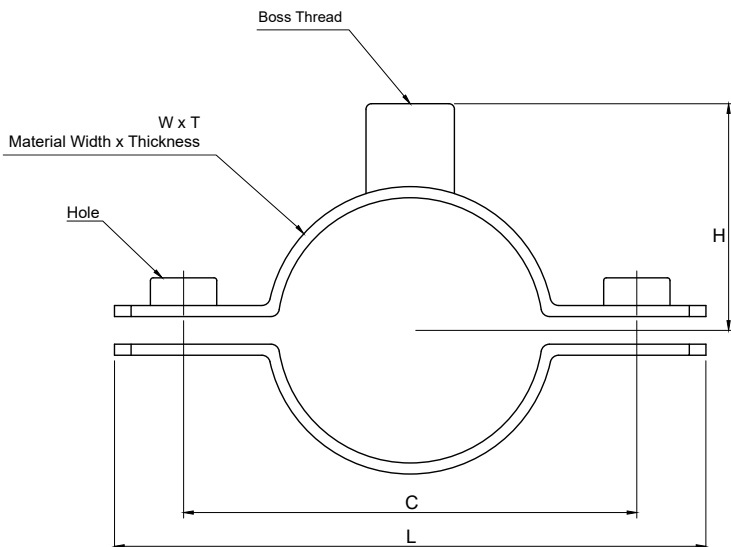
Note: All sizes also available in M12 boss sizing.

Listed By **AON**

Compliant to **NZS4541:2020**

Hot Dipped Galvanised M10 Welded Boss Holderbats

RSL Code	D	W x T	L	C	H	Hole	Boss Thread	Bolt	Nut*	Aon Approved
MRG-021	15nb (21od)	25 x 2	75	50	28	6.6mm	M10	M6 x 25	Riv	✓
MRG-027	20nb (27od)	25 x 2	83	58	31	6.6mm	M10	M6 x 25	Riv	✓
MRG-034	25nb (34od)	25 x 2	89	64	34	6.6mm	M10	M6 x 25	Riv	✓
MRG-043	32nb (43od)	25 x 2	100	75	39	6.6mm	M10	M6 x 25	Riv	✓
MRG-048	40nb (48od)	25 x 2	107	82	41	6.6mm	M10	M6 x 25	Riv	✓
MRG-060	50nb (60od)	25 x 2.5	118	93	47	6.6mm	M10	M6 x 25	Riv	✓
MRG-076	65nb (76od)	25 x 2.5	135	110	56	9mm	M10	M8 x 30	FN	✓
MRG-089	80nb (89od)	25 x 2.5	146	121	63	9mm	M10	M8 x 30	FN	✓
MRG-089/12	80nb (89od)	25 x 2.5	146	121	63	9mm	M12	M8 x 30	FN	✓
MRG-115	100nb (115od)	25 x 3	186	161	76	9mm	M10	M8 x 30	FN	✓
MRG-115/12	100nb (115od)	25 x 3	186	161	76	9mm	M12	M8 x 30	FN	✓
MRG-140	125nb (140od)	25 x 3	211	186	88	9mm	M10	M8 x 30	FN	
MRG-140/12	125nb (140od)	25 x 3	211	186	88	9mm	M12	M8 x 30	FN	
MRG-168	150nb (168od)	25 x 5	238	213	102	12mm	M10	M10 x 40	FN	✓
MRG-168/12	150nb (168od)	25 x 5	238	213	102	12mm	M12	M10 x 40	FN	✓
MRG-180/12	180od	25 x 5	253	228	109	12mm	M12	M10 x 40	FN	



* FN= Full Nut, Riv = Rivnut