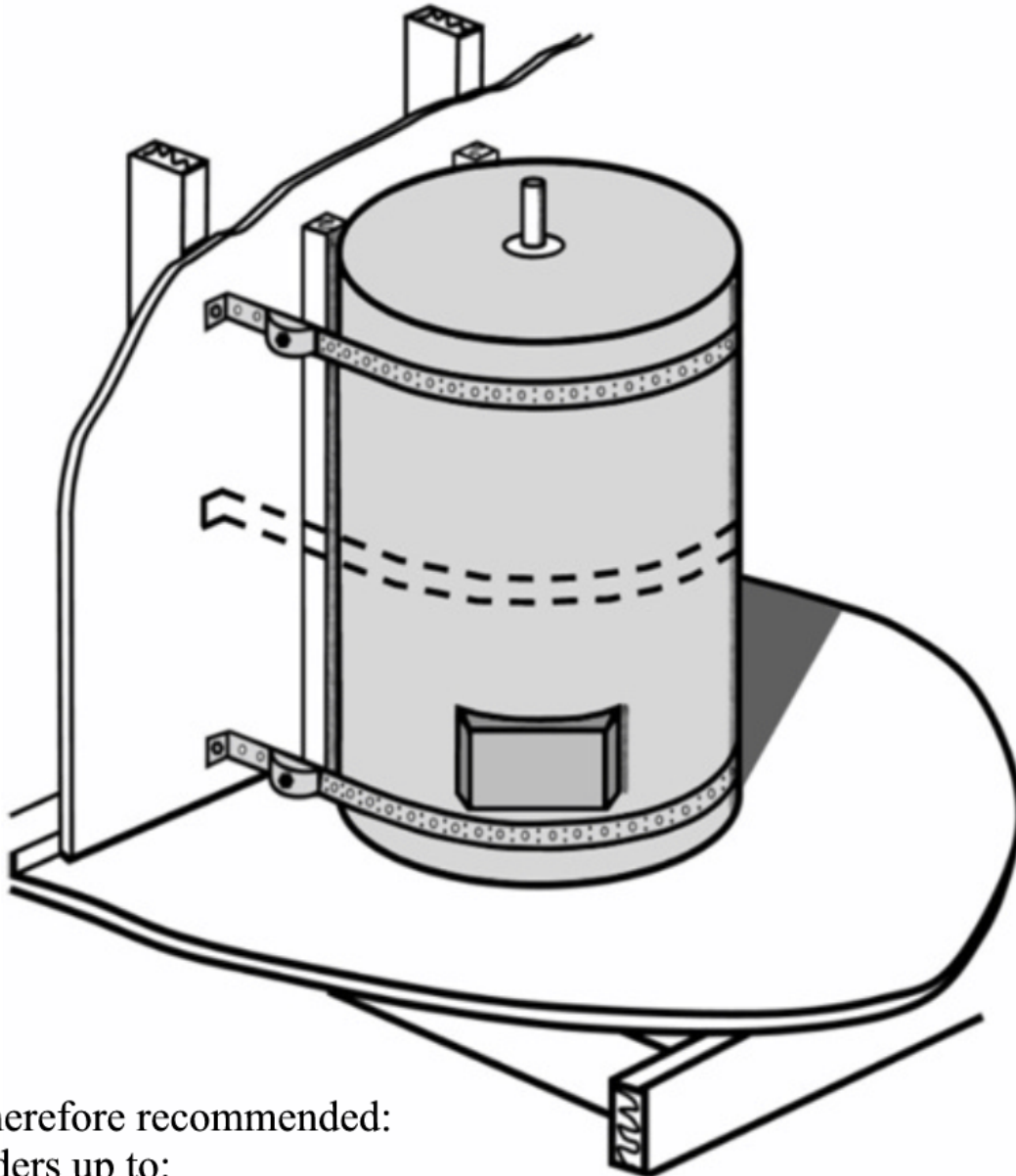


SIMPLEFIX SUPPORT SYSTEMS

New legislation for seismic restraining of storage water heaters

An increase of around 50% more strength was required so we have replaced the 0.55mm strap with 0.75mm high tensile to comply.

The "Simplefix" seismic restraint kit has been design checked by a Registered Engineer, for water heaters up to 700 litre capacity. This was done in accordance with the seismic design Code NZS 1170.5:2004. (Statement available on request)



It is therefore recommended:

Cylinders up to:

- Up to 200 litres capacity 2 x Straps
- 200 to 360 litres capacity ... 3 x Straps
- 360 to 500 litres capacity .. 4 x Straps
- 500 to 600 litres capacity .. 5 x Straps
- 600 to 700 litres capacity .. 6 x Straps

Note 1: This design includes "Simplefix" 0.75mm x 25mm wide G550 high tensile Galvanised strap

Note 2: For full design strength use only brackets and components supplied as part of the Kit

Note 3: An additional strap is required where installation occurs 12mtrs above ground level.

Note 4: For use in outside conditions ask about our Stainless grade restraint. Code: SIMKIT/ST

SIMPLEFIX SUPPORT SYSTEMS



SECURING INSTRUCTIONS FOR HOT WATER STORAGE CYLINDERS UP TO 700 LITRES

STRAP PATENT:
NZ 220815

WALL

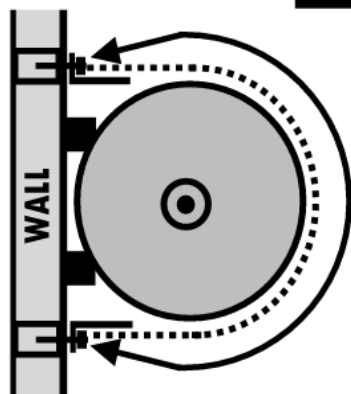
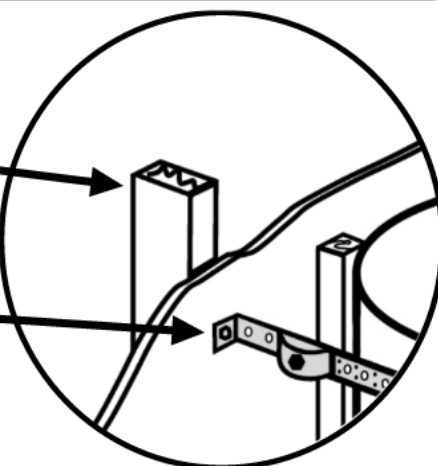
STEP 1:
Locate vertical Stud
or horizontal Nog

A

STEP 2:
Fasten EQ Bracket **B** (Earthquake Bracket)
to Stud or Nog with Tek Screw

B

C



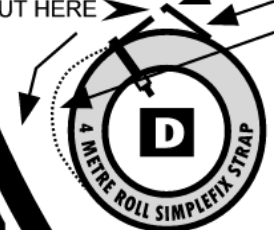
STEP 3:
Measure the distance around the
Cylinder from wall to wall near
the base of both EQ Brackets

STEP 4:
Remove tape
Cut off the angled tab
Thread the Simplefix Strap
back through the Nylon Tie until the required
length is obtained then cut

CUT HERE

D

WARNING: DO NOT CUT NYLON TIE



STEP 5:
Fit both ends of the
Simplefix Strap onto
the EQ Brackets with
2 x 3/16" Bolts &
Nuts

B

EQ Bracket
(Earthquake Bracket)

E

E 3/16"
Bolts & Nuts

STEP 6:
Fit Tensioning Device **F**
to the Simplefix Strap
as shown below.
Do up until
firm

F

A Stud or Nog

C

Tek Screw

6mm
rectangular
nut

F

Tensioning
Device

D

Simplefix High
Tensile Strap

