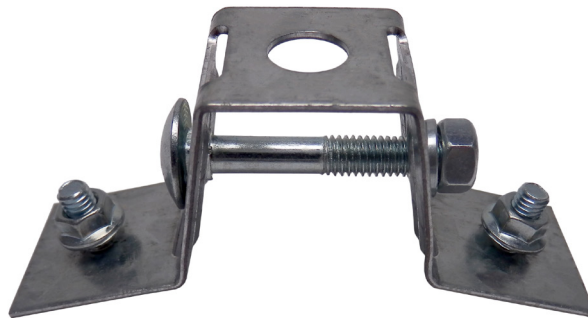


# Top-Bracket

NZ PATENT # 515962

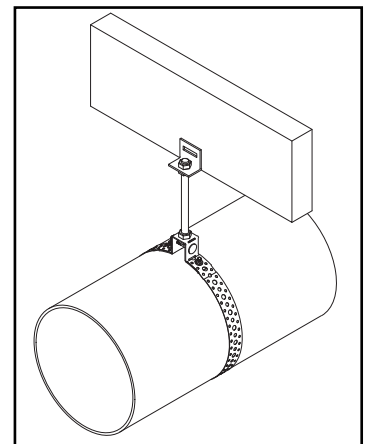
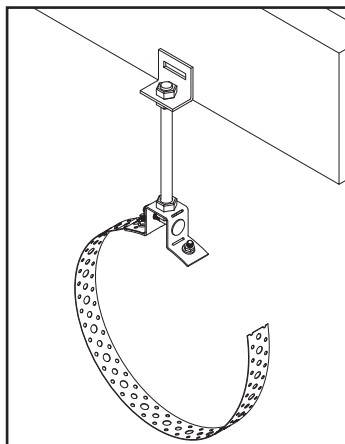


**SimpleFix has now made it possible to support large diameter light weight tubing**  
 No longer is it a problem finding a bracket system that will accommodate most large sizes.  
 The SimpleFix Top-Bracket is suitable for PVC pipe and round ducting.

The cleverly designed Top-Bracket will mould itself to fit the shape of any round surface. The 25mm wide x 0.75mm G550 SimpleFix strap can be cut to suit any pipe or round duct size.

**Declaration of suitability:**

This product has been tested in a Telarc registered laboratory. The calculations have been carried out by registered engineers and it fully complies with all the relevant industry standards for quality and long life.



**Installation recommendations are:**

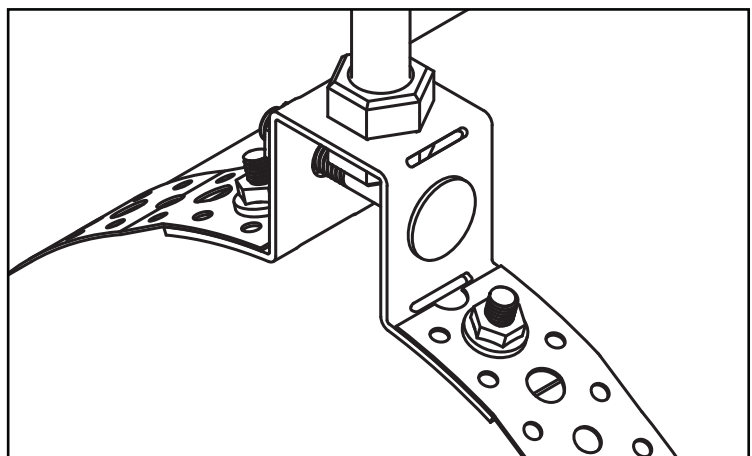
- 80 to 150mm Dia PVC at normal Centers
- 200mm Dia PVC at 2.0m centers
- 250mm Dia PVC at 1.5m centers
- 300mm Dia PVC at 1.0m centers
- 350mm Dia PVC at 0.75m centers

**CODE: SIMTBK5**

**KIT INCLUDES:**

- 5 x Top-Bracket
- 10 x 10mm full nuts
- 4 meters SIM075

**NOTE: 15m of additional strap can be purchased separately CODE: SIM075**



Outdoor or wet areas: Use stainless kit CODE: SIMTBK/ST