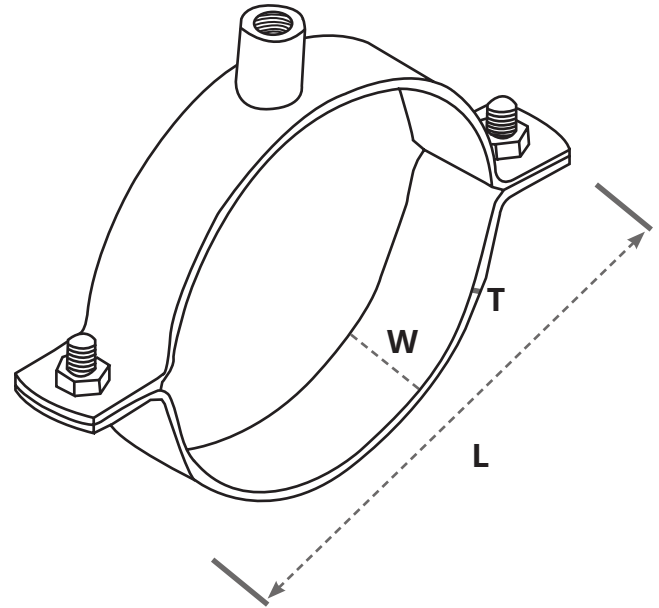




Zinc Plated M10 Pressed Boss Holderbats

| RSL CODE | SIZE        | L  | W x T    | BOLT    | REC LOAD       |
|----------|-------------|----|----------|---------|----------------|
| GH15     | 15nb (21od) | 55 | 15 x 2.0 | M5 x 10 | 156kg (1.53kN) |
| GH25     | 25nb (34od) | 70 | 15 x 2.0 | M5 x 15 | 156kg (1.53kN) |
| GH32     | 32nb (43od) | 80 | 15 x 2.0 | M5 x 15 | 156kg (1.53kN) |
| GH40     | 40nb (48od) | 87 | 15 x 2.0 | M6 x 20 | 156kg (1.53kN) |



**Note:** Recommended maximum load with a 2.5 safety factor.